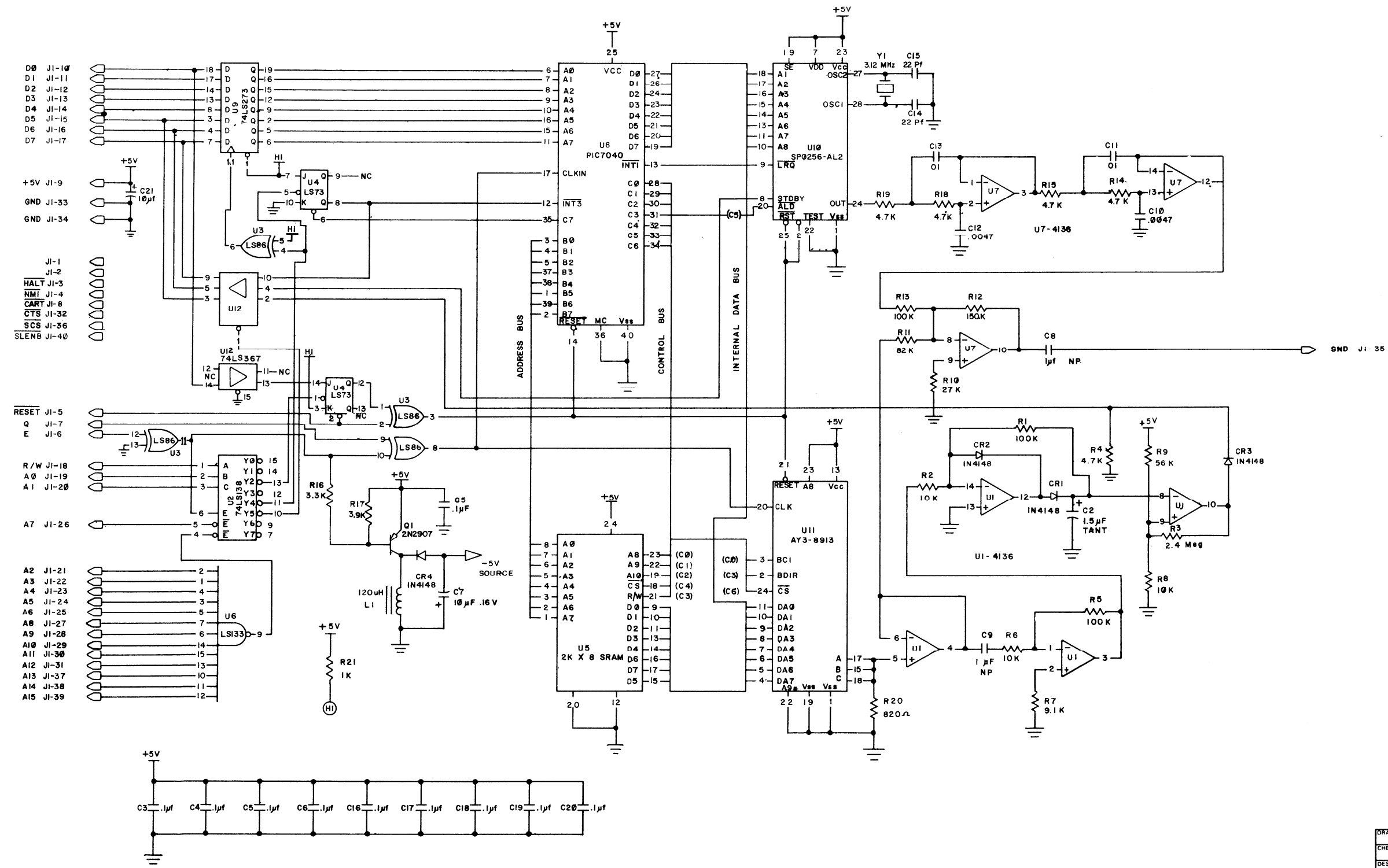


ZONE	LTR	REVISION		DATE	APPROVED
		DESCRIPTION			
A		U1 WAS M1 (CORRECTED ERROR); C15 WAS C13 (DUPLICATE); ADDED .1μF X 9 CAPS		6/12/84	[Signature]
		RELEASED FOR PRODUCTION		6/18/84	



I. ALL RESISTANCE VALUES IN OHMS; K-1000 Ω
 NOTES (UNLESS OTHERWISE SPECIFIED):

REF. DRILL PLAN 17002814

DRAWN	A. G.	DATE	04/2/84	TITLE	SCHEMATIC - SPEECH & SOUND CARTRIDGE
CHECK		DATE			
DESIGN	J. M. Pickett	DATE	6/18/84		
APP'D	J. M. Pickett	DATE	6/18/84		
APP'D	[Signature]	DATE	6/18/84		
DWG NO	D-8000227	SIZE	D		
SCALE	NONE	SHEET	1	OF	1

JUN 18 1984

