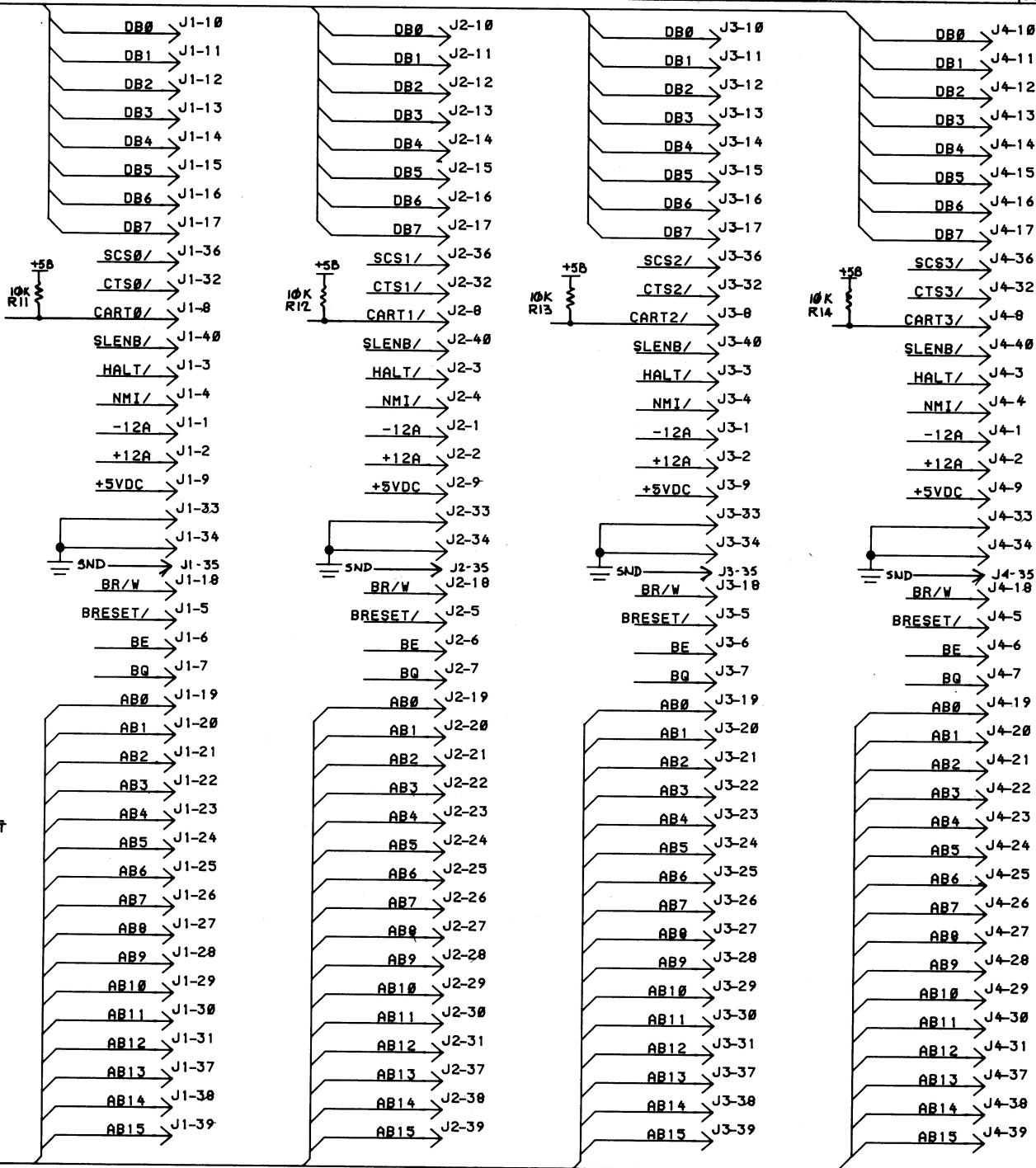
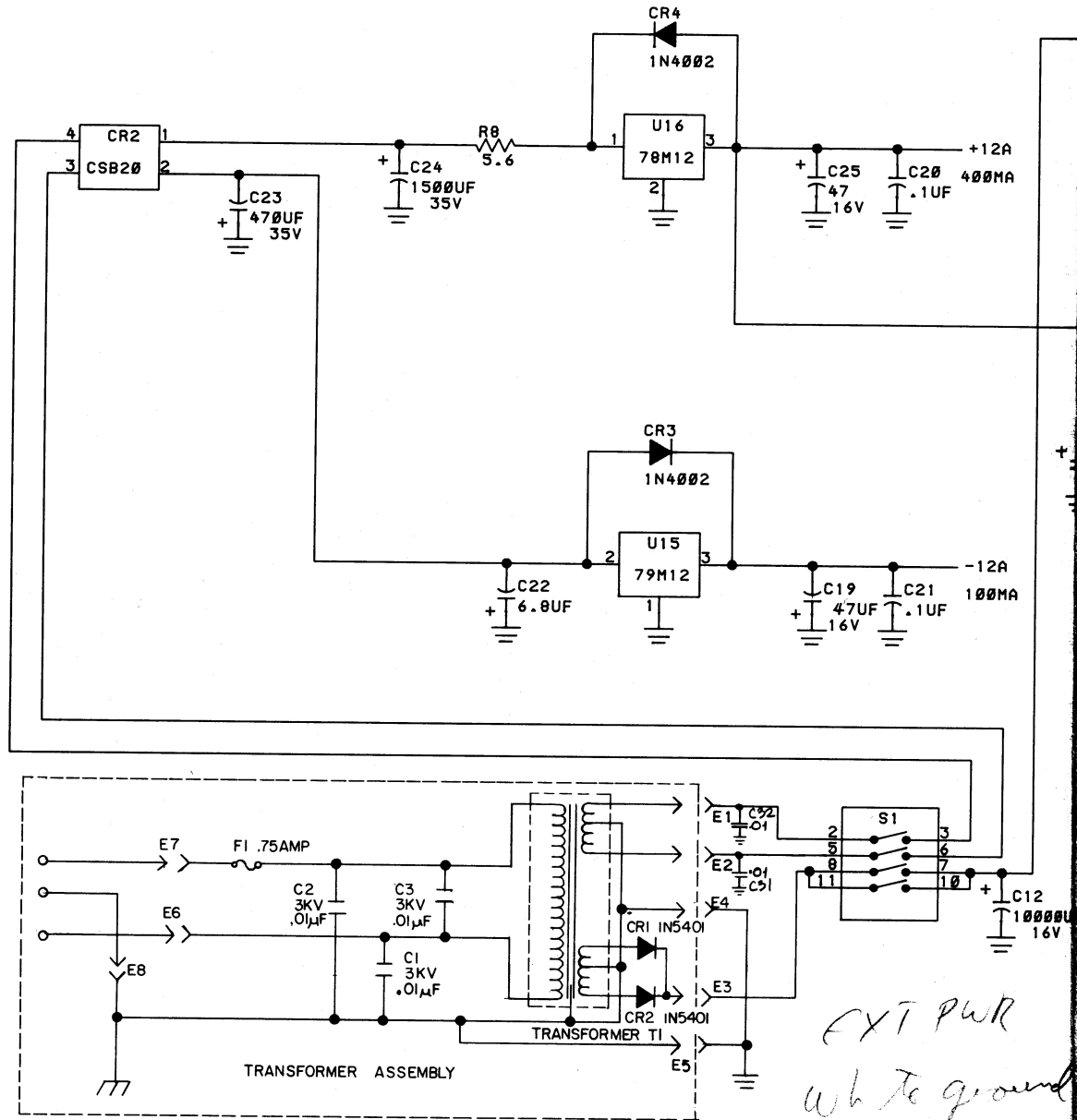


ZONE	LTR	REVISION DESCRIPTION	DATE	APPROVED
SHEET 2	A	TRANSFORMER ASSEMBLY ADDED	12-13-82	JMP
SHEET 2	B ₃	C1 100µF WAS C147µF	12-14-82	JMP
		RELEASED FOR PRODUCTION	12-14-82	WAW

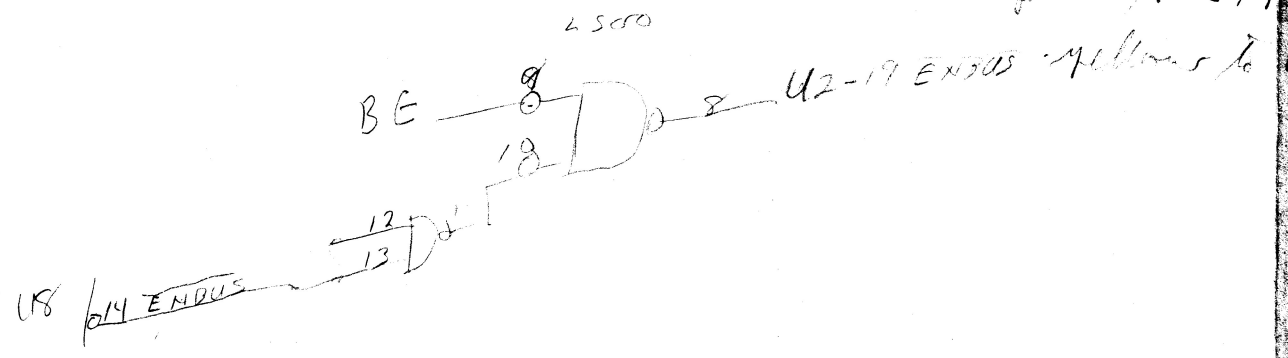


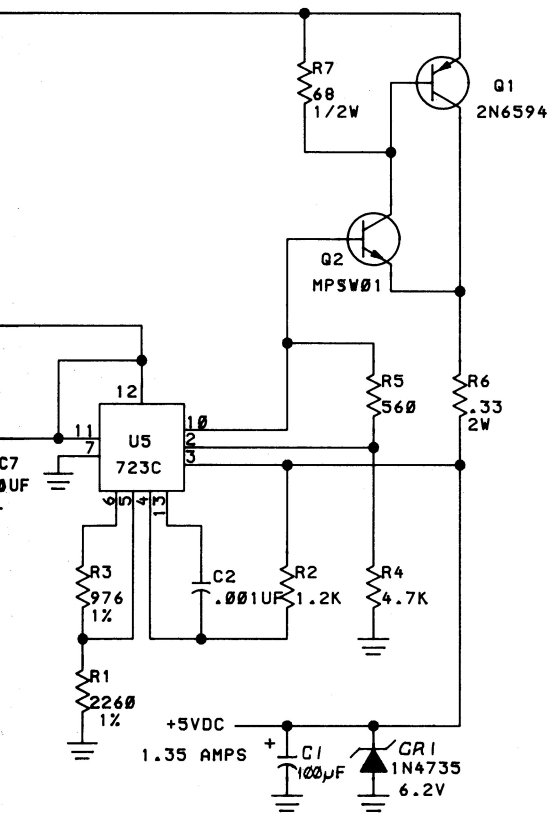
REF: DRILL PLAN D1700198

MATERIAL	UNLESS OTHERWISE SPECIFIED	DRAFT	DATE	TITLE
DIMENSIONS ARE IN INCHES AND APPLY AFTER PLATING	DO NOT SCALE THIS DRAWING	NEXT ASSY.	USED ON	



EXT PWR
 Wh to ground
 Brown to rear
 Green to 54-1





remove U5, U1, R6

*add R6, remove U1, U2, +5V
-12V
U5 pin 12, +12V*

MATERIAL	UNLESS OTHERWISE SPECIFIED			DRAFT	DATE	TITLE
	TOLERANCES .XX = ±.010 .XXX = ±.005 ANGLES = ±1°			CHECK	DATE	
FINISH	HOLE DIA TOLERANCES .014 - .250 = +.005 .251 - .750 = -.001 .751 - UP = +.015 = -.001			DESIGN	DATE	
	DIMENSIONS ARE IN INCHES AND APPLY AFTER PLATING			APPD	DATE	
DO NOT SCALE THIS DRAWING	NEXT ASSY.	USED ON	tandy		DWG. NO.	SIZE
					8000170	
			SCALE	SHEET	OF	
				2	2	