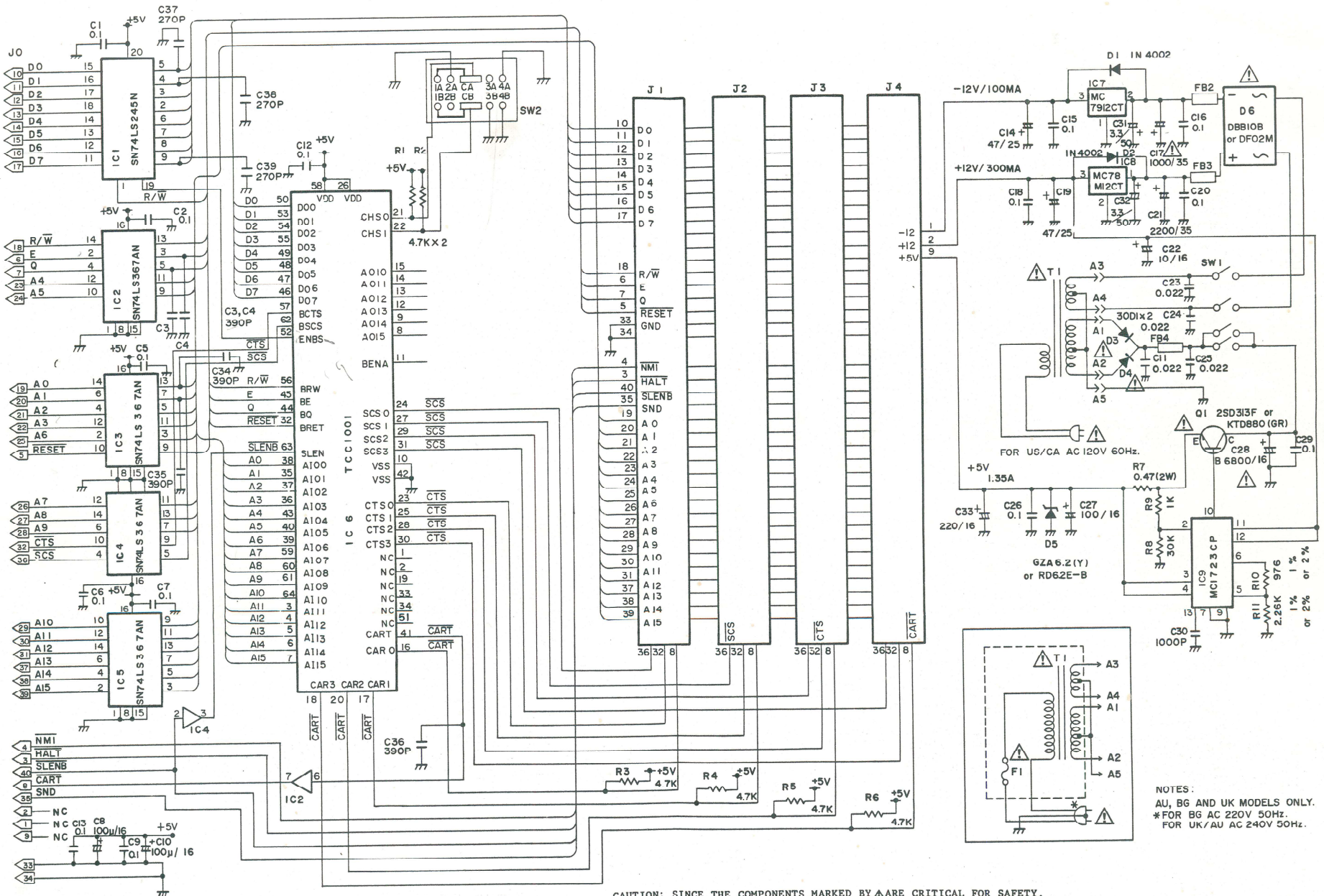


SCHMATIC DIAGRAM



NOTES: (1) ALL RESISTANCE VALUES ARE INDICATED IN "OHM" (K=10<sup>3</sup> OHM).  
 (2) ALL CAPACITANCE VALUES ARE INDICATED IN "μF" (P=10<sup>-6</sup> μF).

CAUTION: SINCE THE COMPONENTS MARKED BY Δ ARE CRITICAL FOR SAFETY,  
 USE COMPONENTS DESCRIBED ON PARTS LIST ONLY.

Before returning the set to the customer, make appropriate leakage current or resistance measurements to determine that exposed parts are properly insulated from the supply circuit.

NOTES:  
 \*AU, BG AND UK MODELS ONLY.  
 \*FOR BG AC 220V 50HZ.  
 \*FOR UK/AU AC 240V 50HZ.

26-3124

Muti Pak