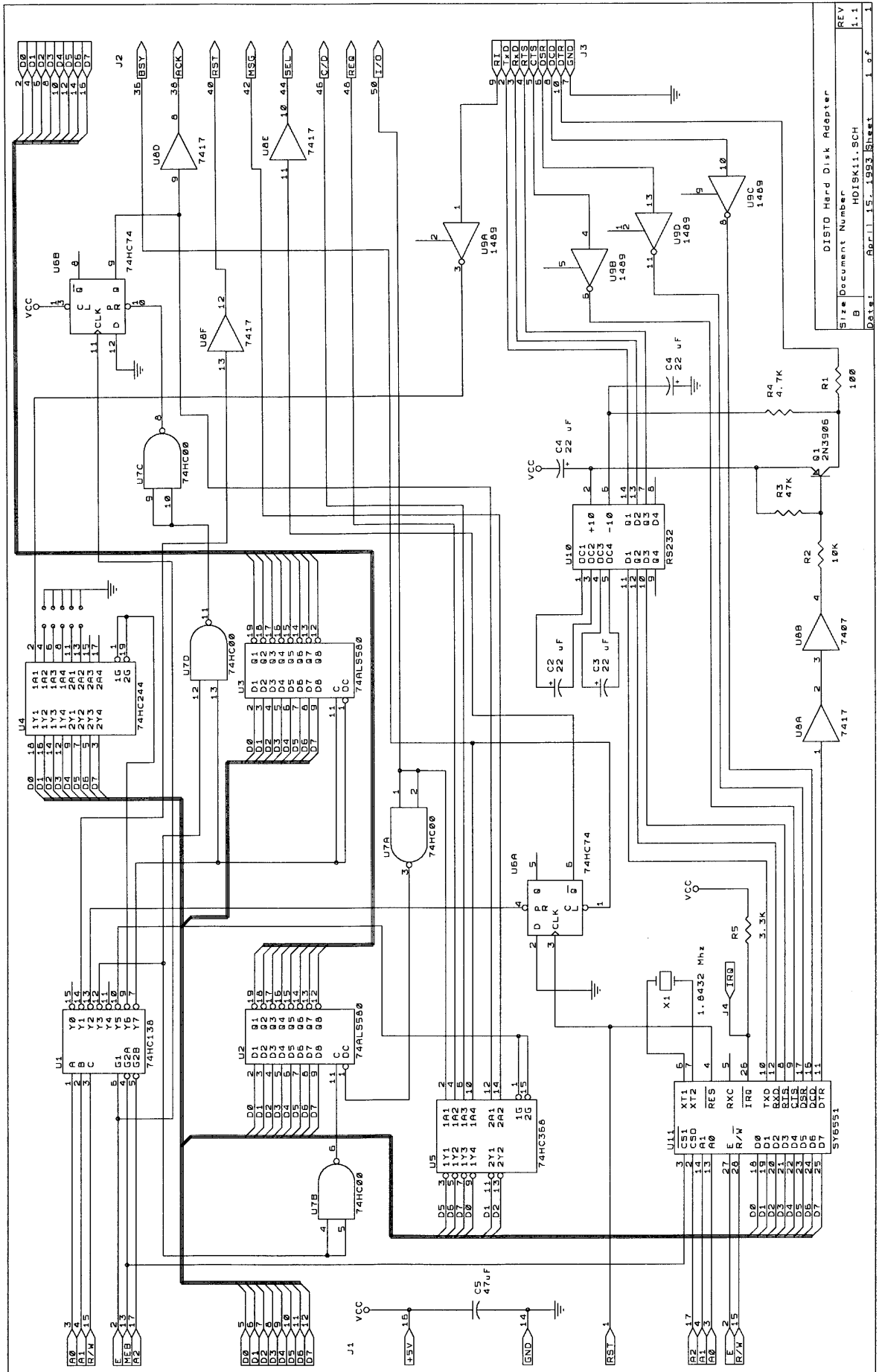


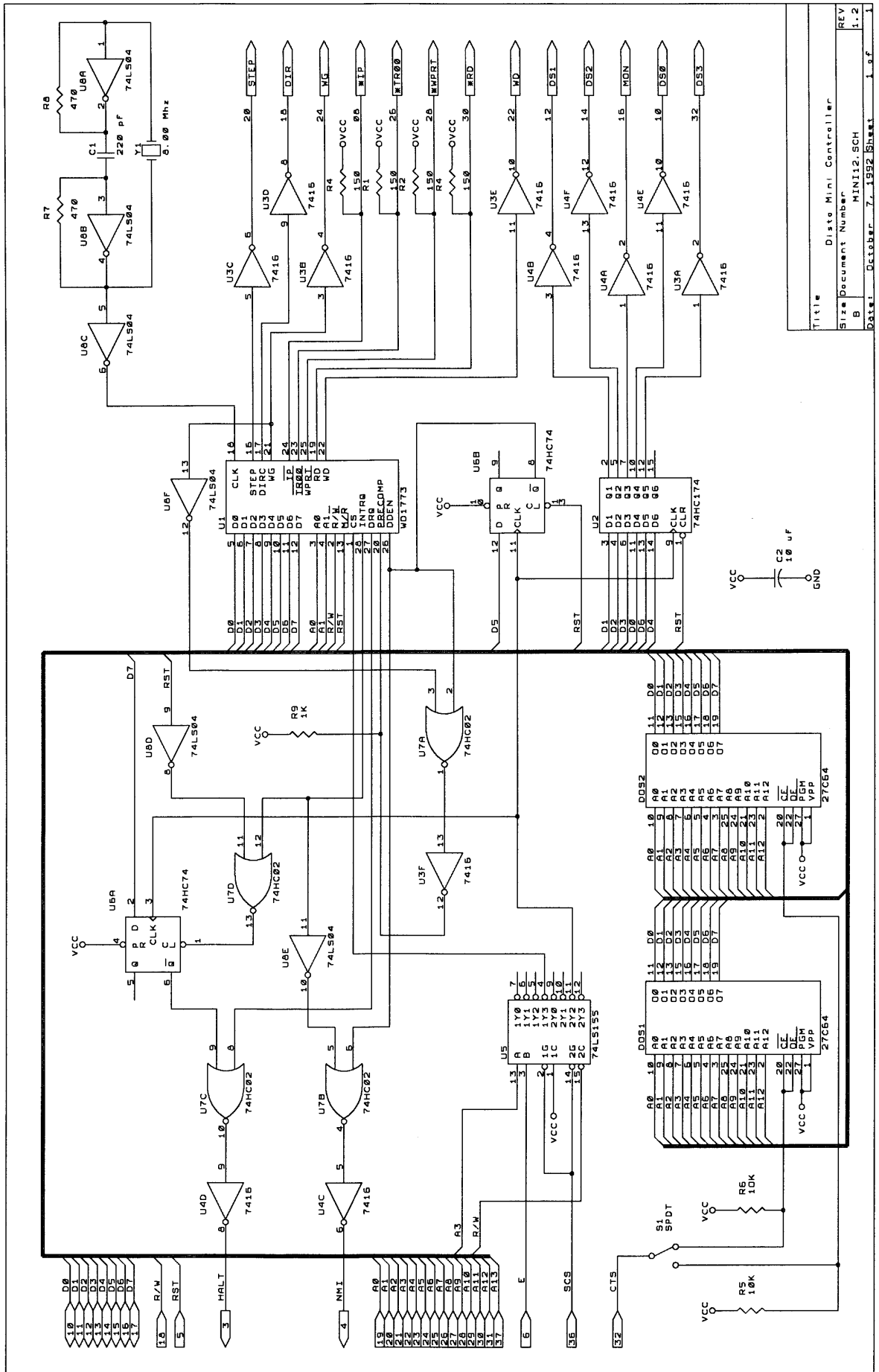
# **DISTO**

**Super Products**

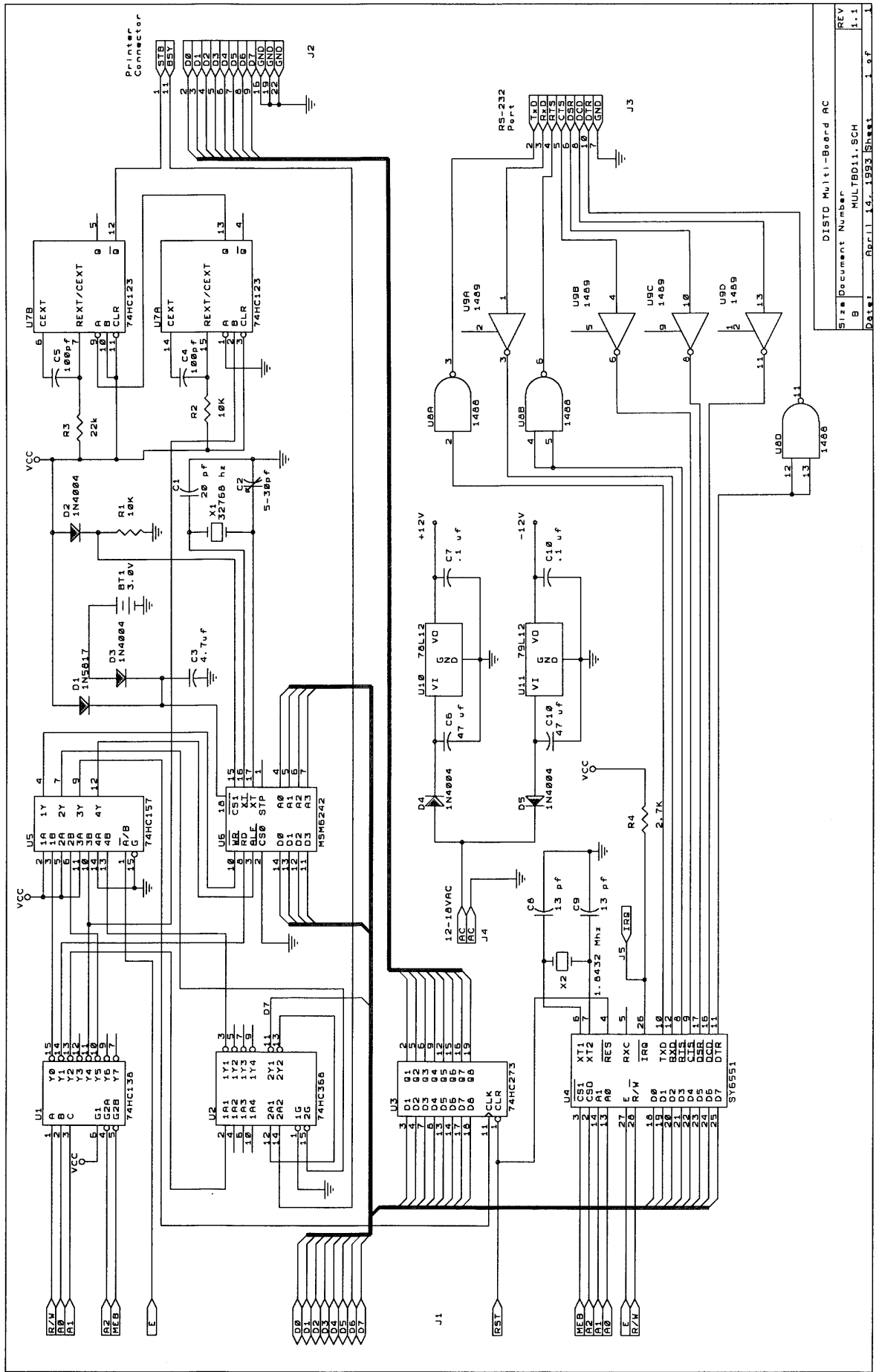
**Schematic Diagram**

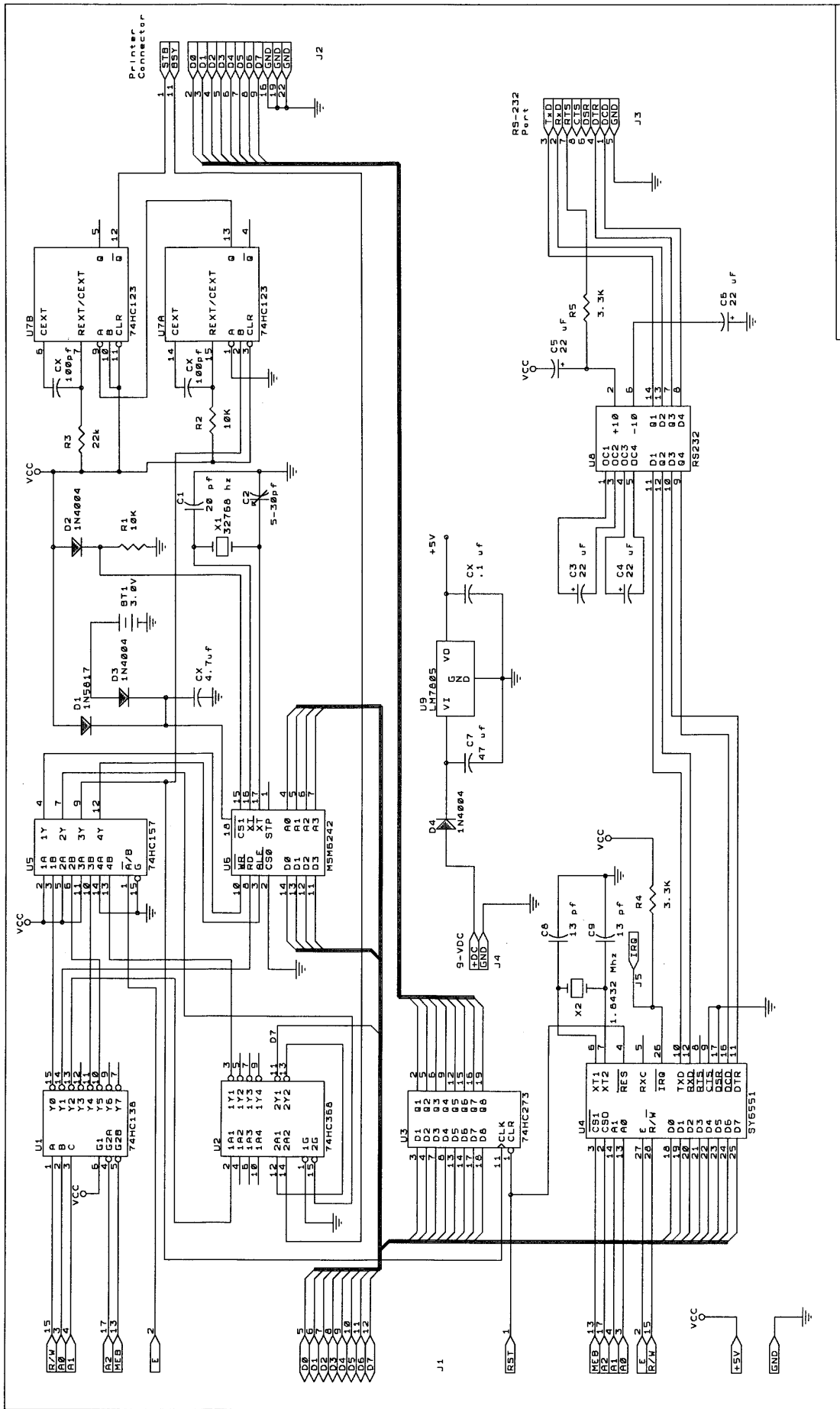
**Set**



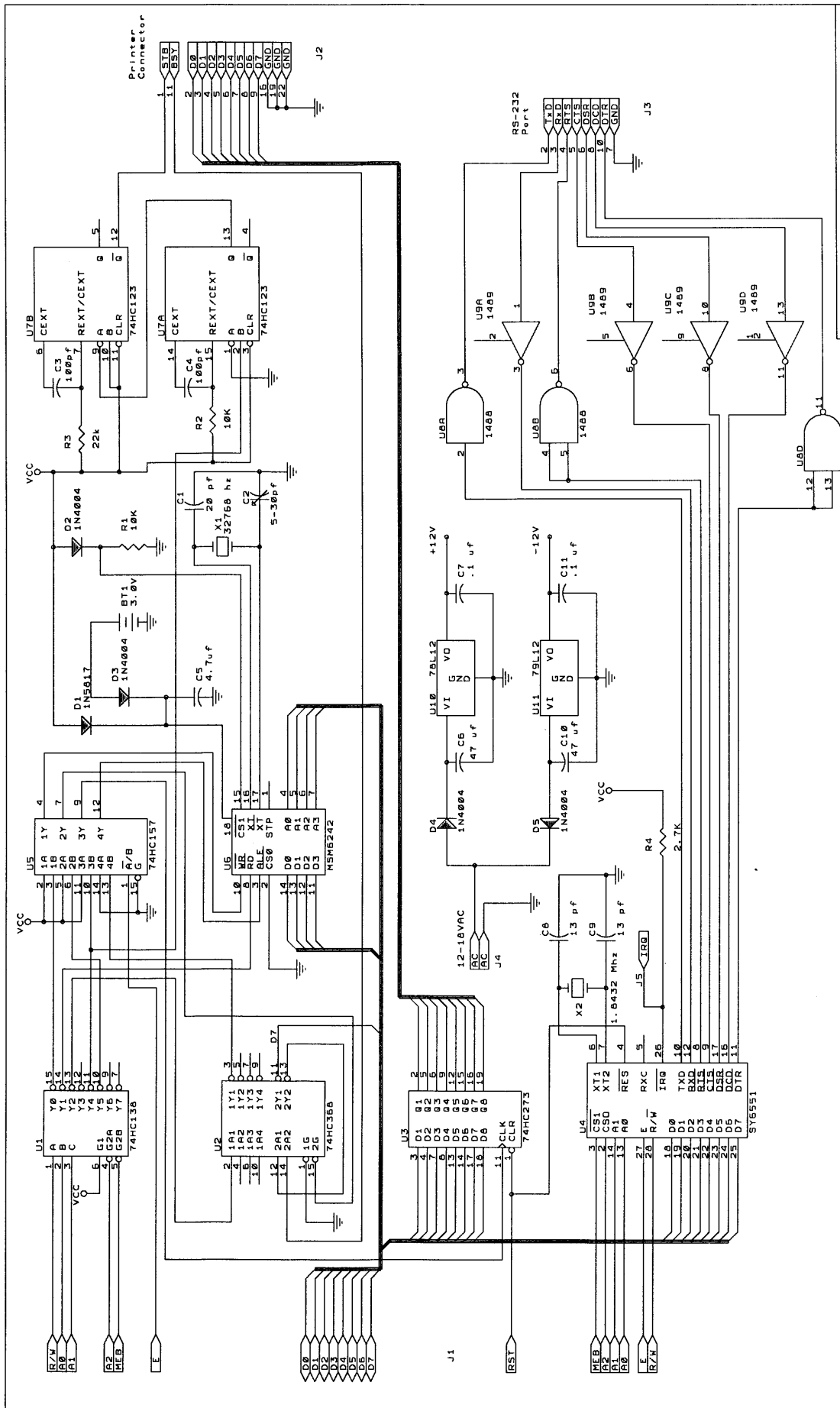


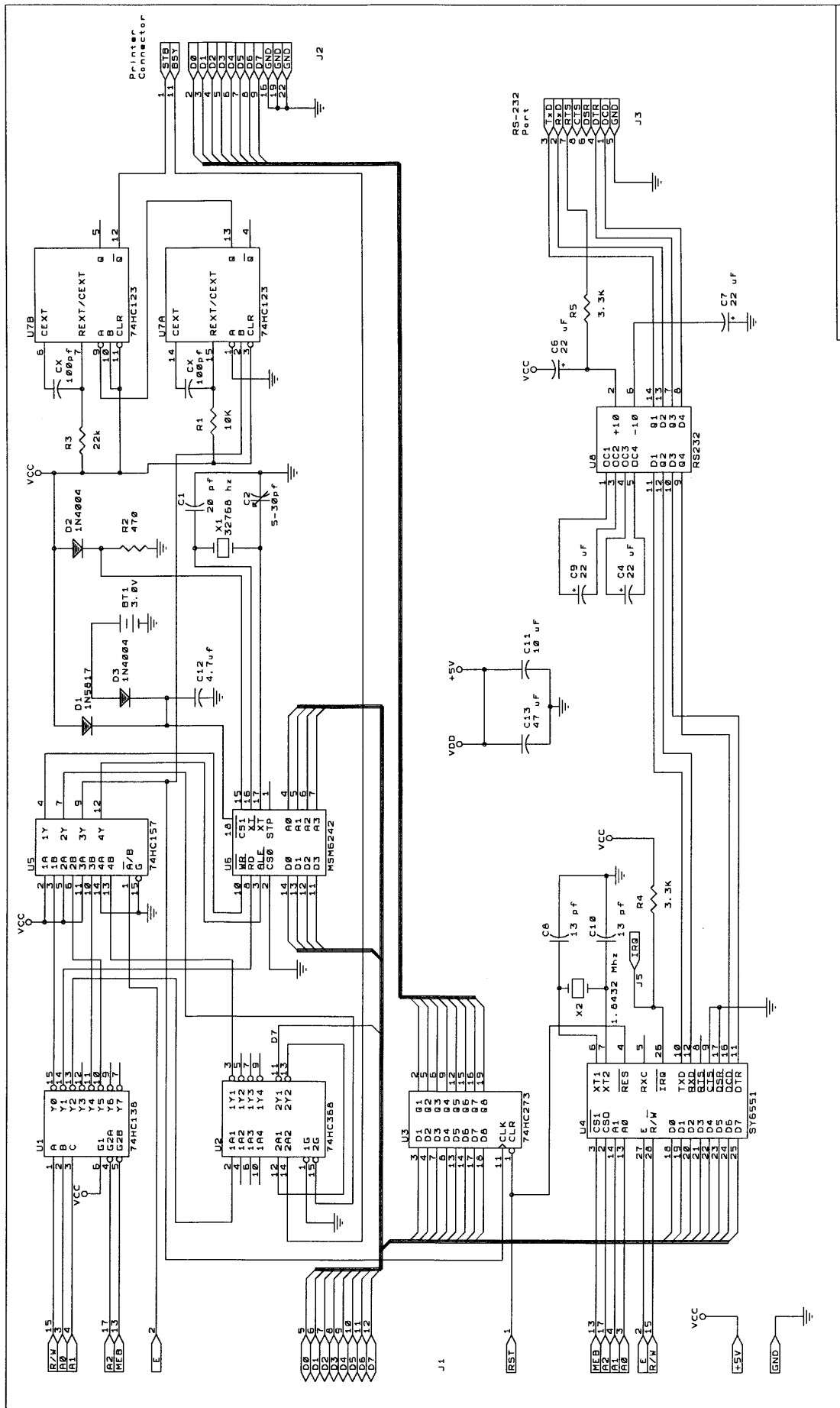
Title	Discrete Mini Controller
Size	Document Number
REV	MINI12.SCH
REV	1.1.2
Date:	October 7, 1992 Sheet 1 of 1

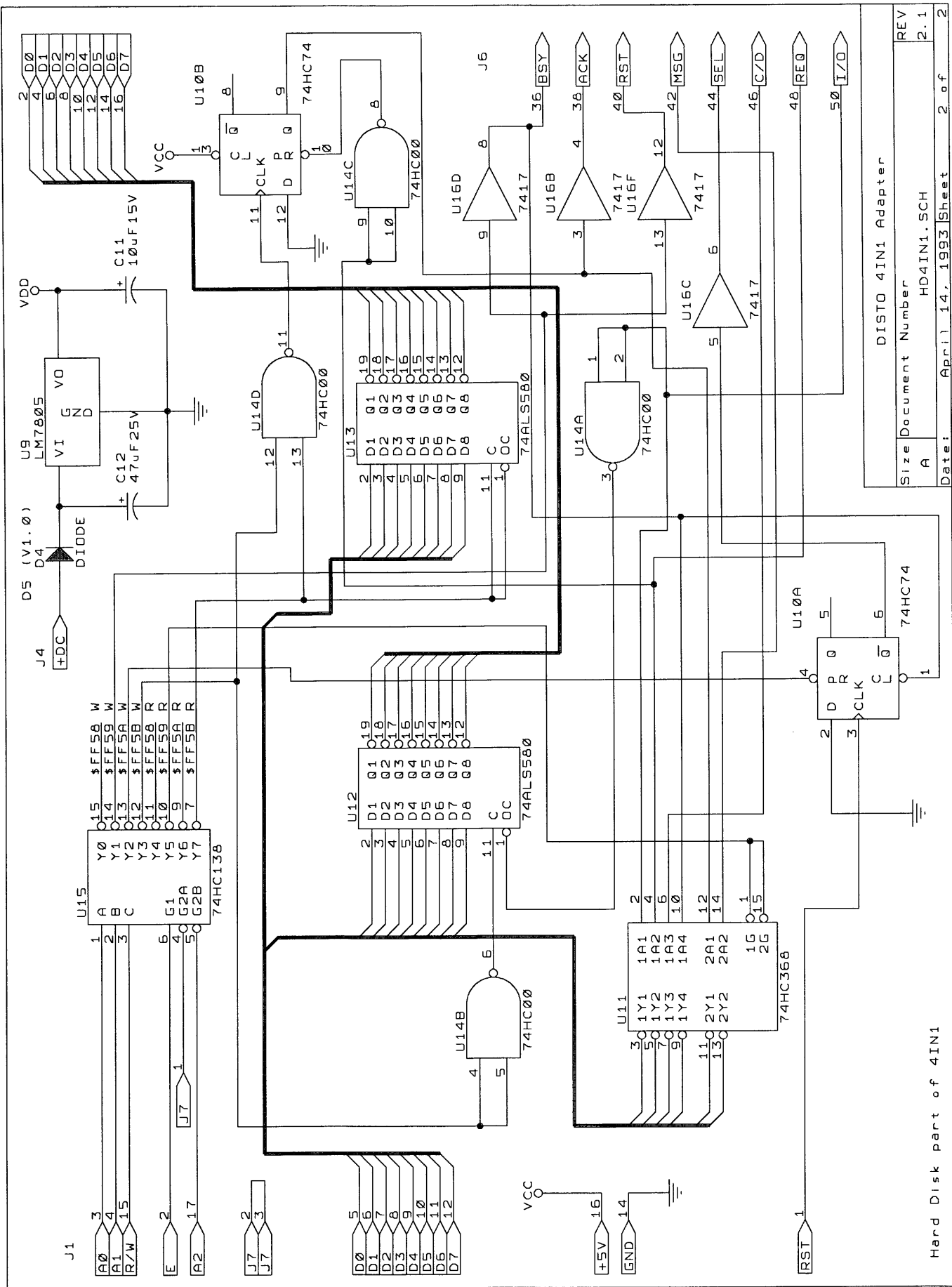




Site	Document Number	REV
B	MLTDC20.SCH	2.0
Date:	Rev. 1.4. 1992	Sheet 1 of 1

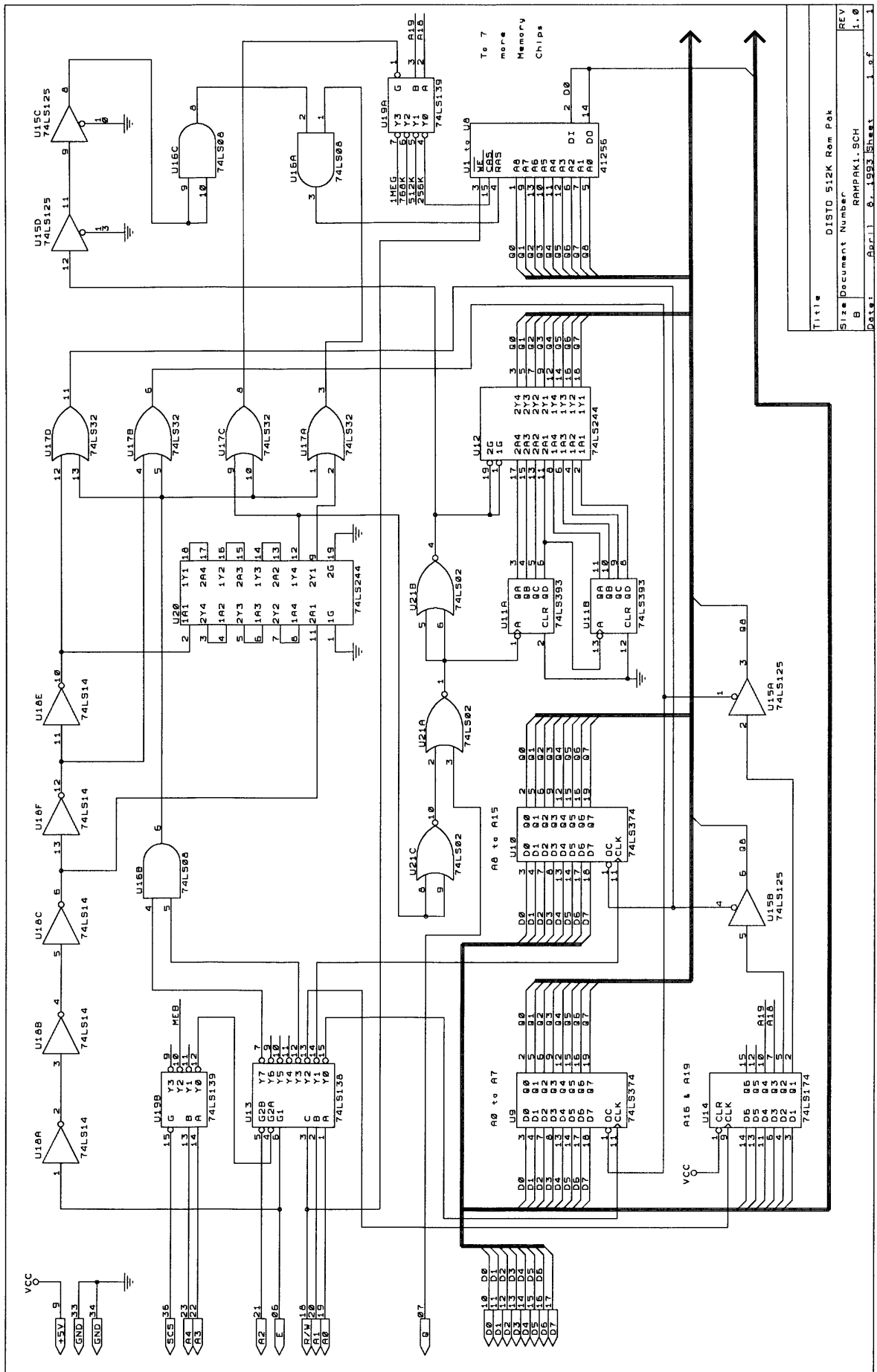


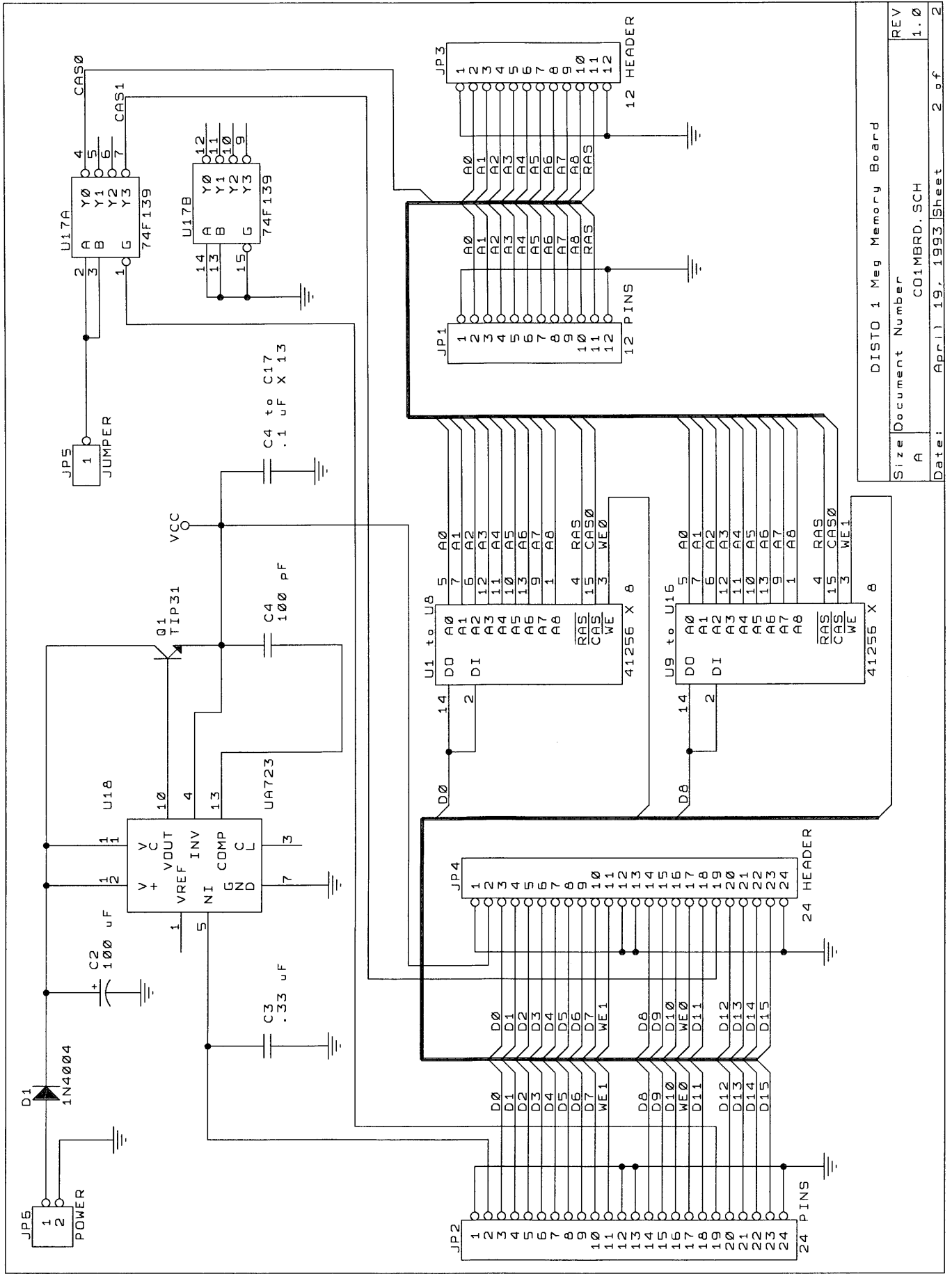




DISTO 4IN1 Adapter	
Size	Document Number
A	HD4IN1.SCH
Date:	April 14, 1993
Sheet	2 of 2
REV	2.1







DISTO 1 Meg Memory Board

Size Document Number A CO1MRD.SCH REV 1.0

Date: April 19, 1993 Sheet 2 of 2

