
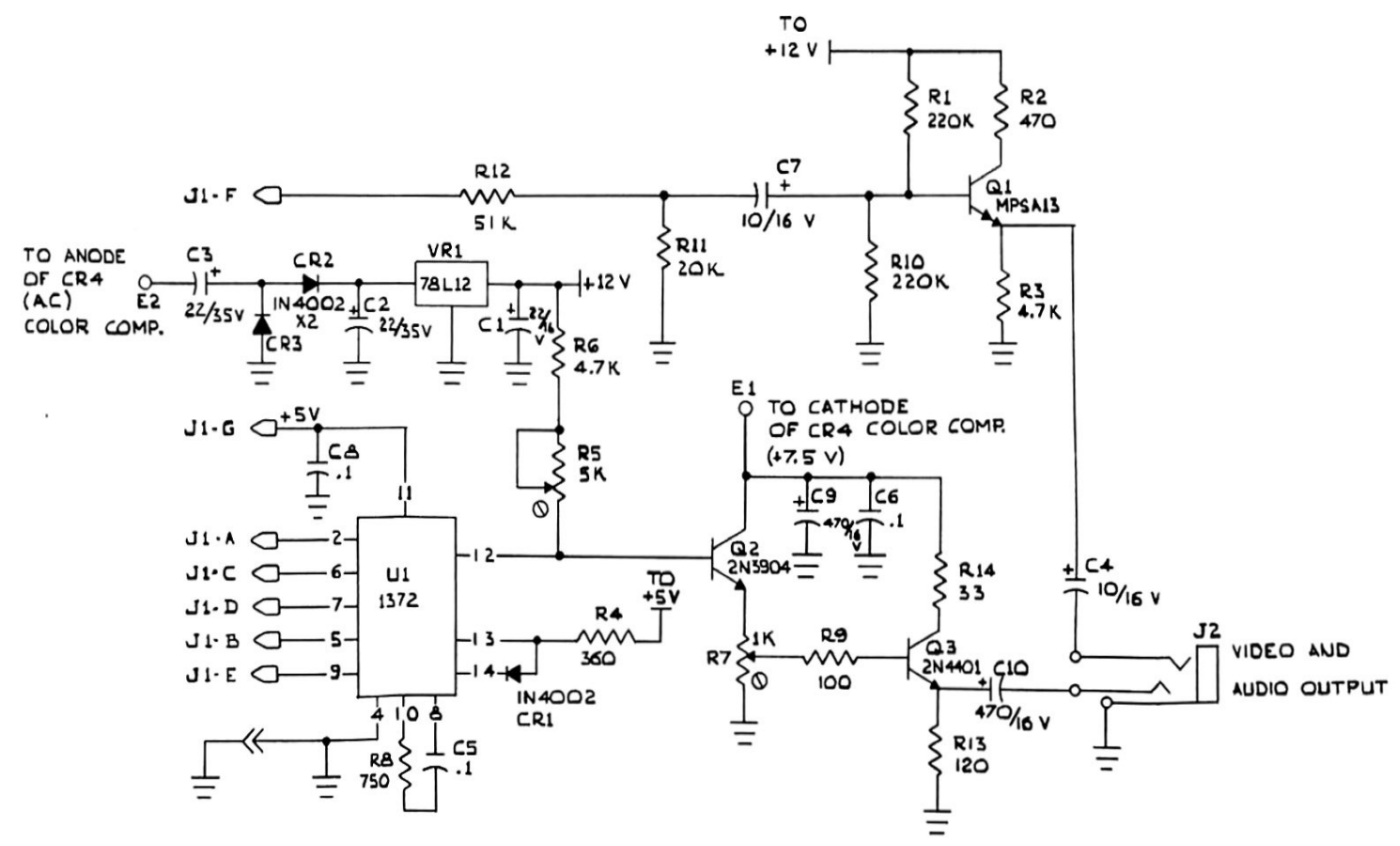


PROPERTY OF THE
 FEDERAL BUREAU OF INVESTIGATION
 U.S. DEPARTMENT OF JUSTICE
 4425 RAYBURN DRIVE, WASHINGTON, D.C. 20535
 TELEPHONE (202) 512-2000

ZONE	LTR	REVISION DESCRIPTION	DATE	APPROVED
		RELEASE FOR PRODUCTION	2-8-84	SM

75Ω terminator plug
 - 2 parallel 150Ω
 phone plug → for test

2)-ALL CAPACITOR VALUES IN MICRO-FARADS
 1)-RESISTANCE VALUES IN OHMS, 1/4 WATT
NOTES (UNLESS OTHERWISE SPECIFIED):

RELEASED FOR PRODUCTION

REF.: DRILL PLAN #1700276
 REV. P1

MATERIAL	UNLESS OTHERWISE SPECIFIED	DRAFT	DATE	TITLE
	TOLERANCES XX = ± 0.10 XXX = ± 0.05 ANGLES = 21°	ANGEL G.	1-31-84	SCHEMATIC - DIRECT VIDEO I COLOR COMPUTER II
		CHECK	2-1-84	
		DESIGN		
		APPD		
FINISH		APPD	2-8-84	NE WCC TB:CC-27
		APPD	7/8/84	P.N.
	DIMENSIONS ARE IN INCHES AND APPLY AFTER PLATING	590		DWG NO C-2000224
	DO NOT SCALE THIS DRAWING	USED ON		SCALE SHEET OF NONE 1 1

TANDY