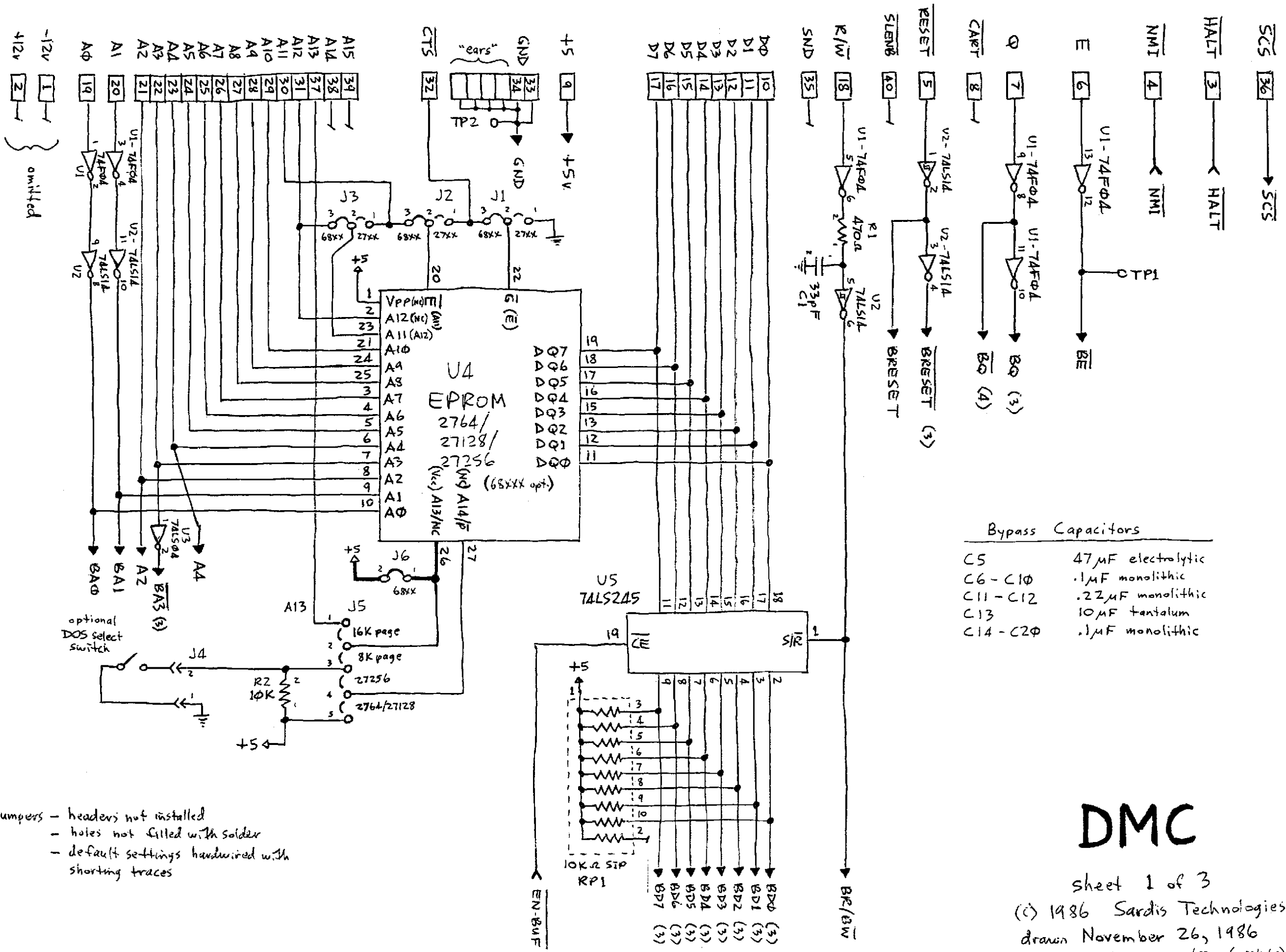


D1
Cartridge
Connector



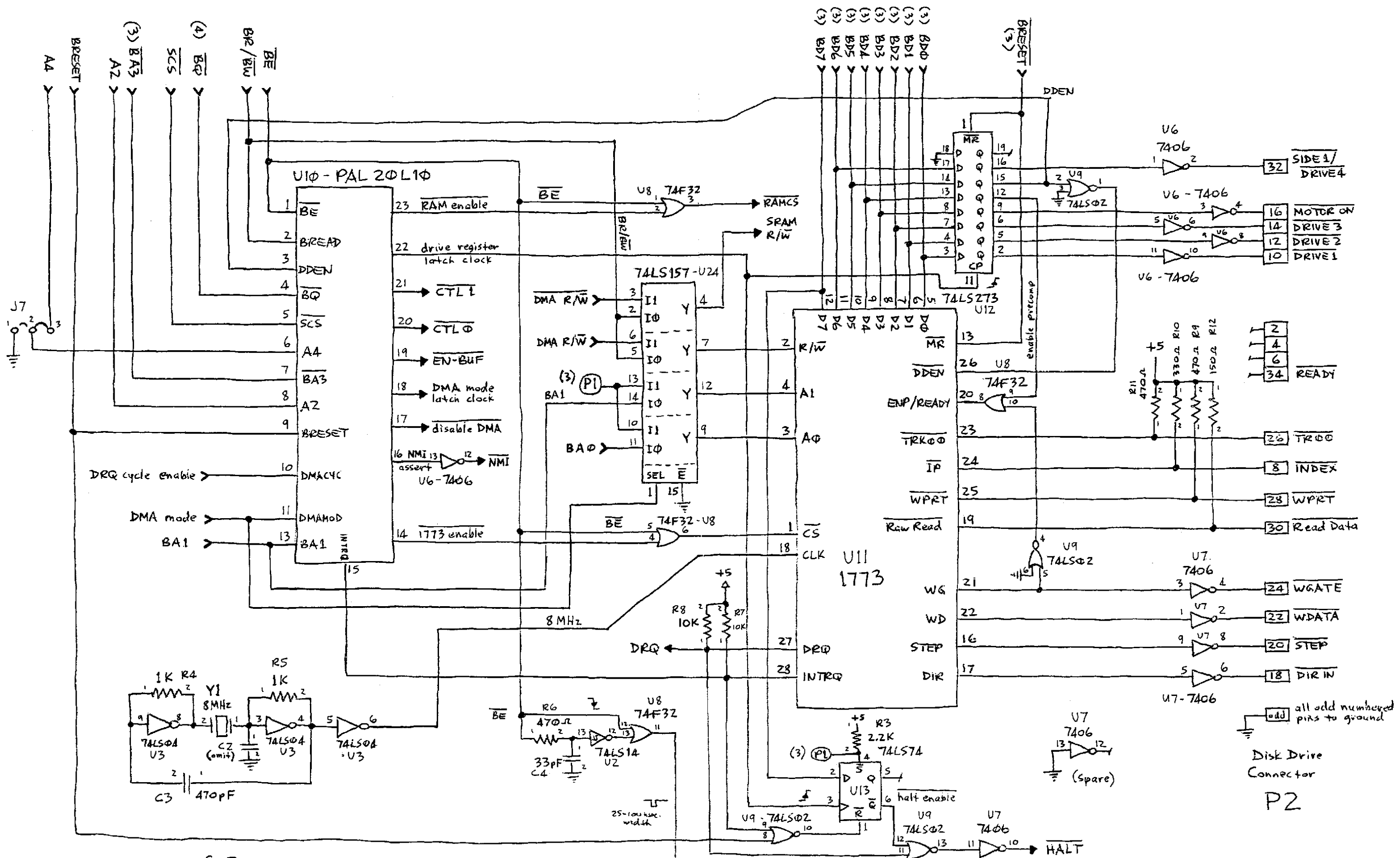
Bypass Capacitors

C5	47µF electrolytic
C6 - C10	.1µF monolithic
C11 - C12	.22µF monolithic
C13	10µF tantalum
C14 - C20	.1µF monolithic

DMC

sheet 1 of 3
 (c) 1986 Sardis Technologies
 drawn November 26, 1986
 last revised Feb. 28/87 (488/10/05)

- jumpers - headers not installed
 - holes not filled with solder
 - default settings hardwired with shorting traces

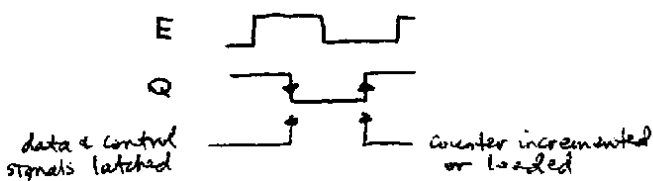
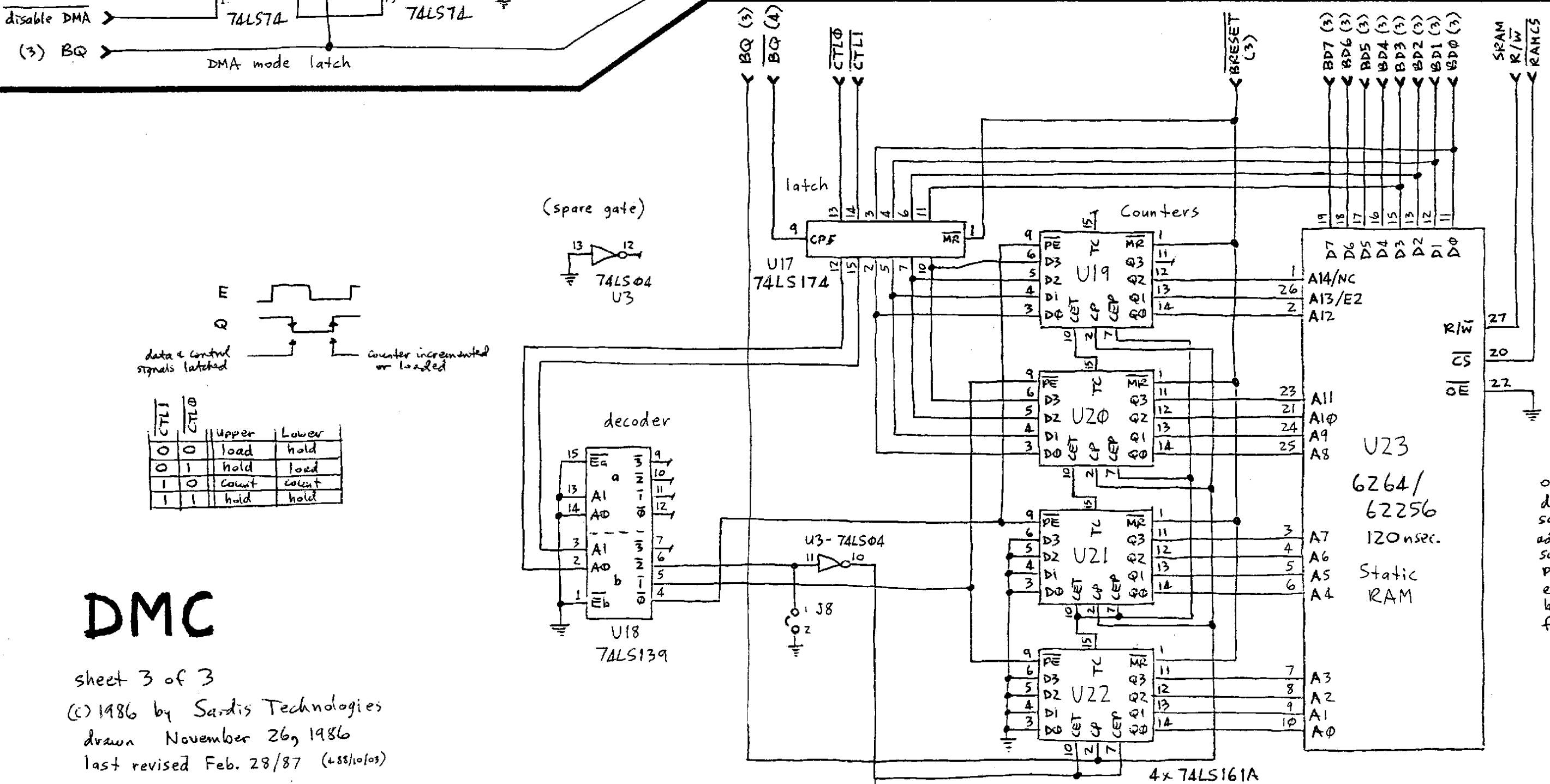
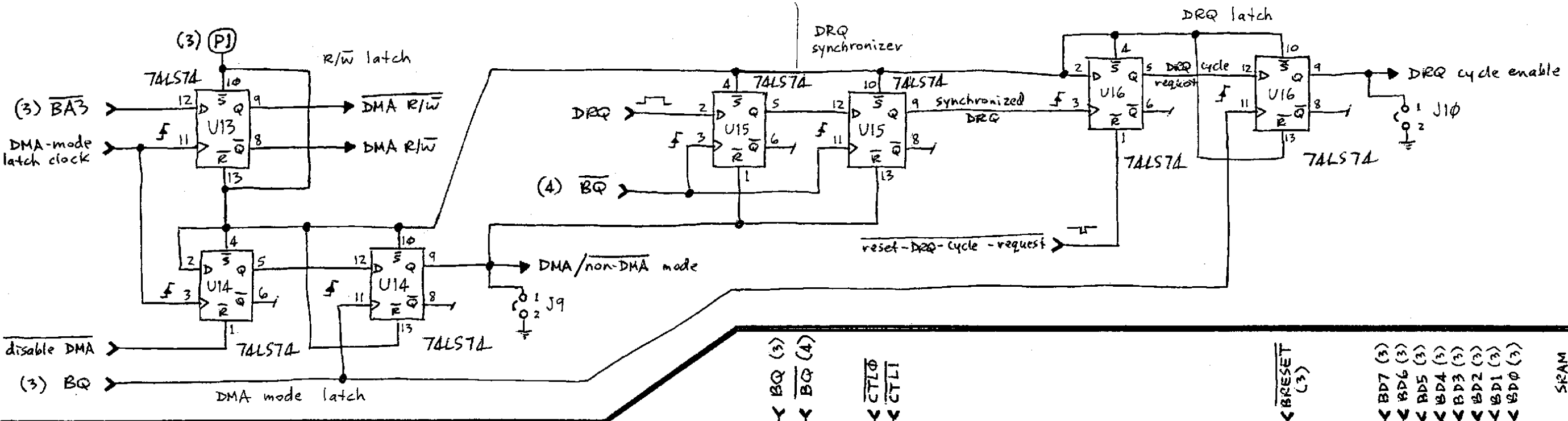


all odd numbered pins to ground
 Disk Drive Connector
 P2

sheet 2 of 3
 drawn November 26, 1986
 (c) 1986 by Sardis Technologies
 last revised Feb. 28/87 (4 88/10/87)

DMC

reset - DRQ - cycle - request



CTL1	CTL0	Upper	Lower
0	0	load	hold
0	1	hold	load
1	0	count	count
1	1	hold	hold

DMC

sheet 3 of 3
 (c) 1986 by Sardis Technologies
 drawn November 26, 1986
 last revised Feb. 28/87 (488/10/03)

OK to have data lines (D0-D7) scrambled, and address lines (A0-A12) scrambled to make PC board layout easier. A13/A14 must be highest output from counter.

