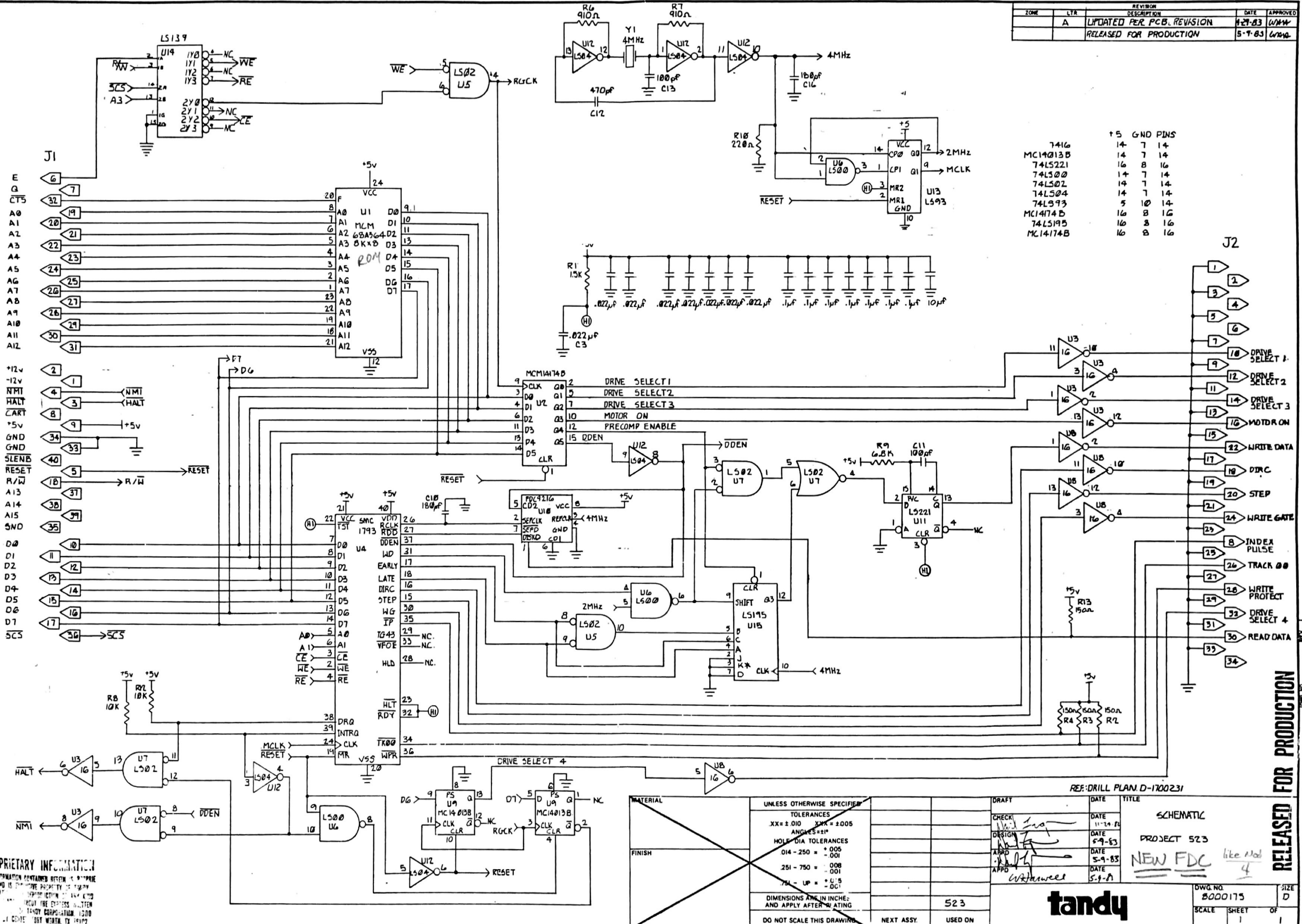


ZONE	LTR	REVISION	DESCRIPTION	DATE	APPROVED
	A	UPDATED PER PCB REVISION		1-27-83	WMM
		RELEASED FOR PRODUCTION		5-9-83	WMM



+5 GND PINS	
7416	14 7 14
MC14013B	14 7 14
74LS221	14 8 16
74LS00	14 7 14
74LS02	14 7 14
74LS04	14 7 14
74LS93	5 10 14
MC14174B	16 8 16
74LS193	16 8 16
MC14174B	16 8 16

RELEASED FOR PRODUCTION

**PROPRIETARY INFORMATION**  
 THE INFORMATION CONTAINED HEREIN IS PROPRIETARY AND IS THE PROPERTY OF TANDY CORPORATION. IT IS TO BE KEPT IN STRICT CONFIDENCE AND IS NOT TO BE REPRODUCED OR TRANSMITTED IN ANY FORM OR BY ANY MEANS, ELECTRONIC OR MECHANICAL, INCLUDING PHOTOCOPYING, RECORDING, OR BY ANY INFORMATION STORAGE AND RETRIEVAL SYSTEM, WITHOUT THE EXPRESS WRITTEN AUTHORIZATION OF TANDY CORPORATION, 1500 TWC DRIVE, FORT WORTH, TX 76102

MATERIAL		UNLESS OTHERWISE SPECIFIED		DRAFT		DATE		TITLE	
TOLERANCES		XX = ±0.010	XXX = ±0.005	CHECK	DATE	SCHEMATIC			
ANGLES = ±1°				DESIGN	DATE	PROJECT 523			
HOLE DIA TOLERANCES		014 - 250 = +0.005	-0.001	APPD	DATE	NEW FDC like Mod 4			
251 - 750 = -0.008		-0.001		APPD	DATE				
751 - 1UP = +0.005		-0.001		DATE	5-9-83				
DIMENSIONS ARE IN INCHES AND APPLY AFTER MOUNTING				DWG NO.		523		SIZE	
DO NOT SCALE THIS DRAWING				NEXT ASSY.		USED ON		SCALE SHEET OF	
								1 1	

